

M12 male 0° / M12 fem. 0° shielded 8p.

Specification: 6FX5002-2DC34-1BA0

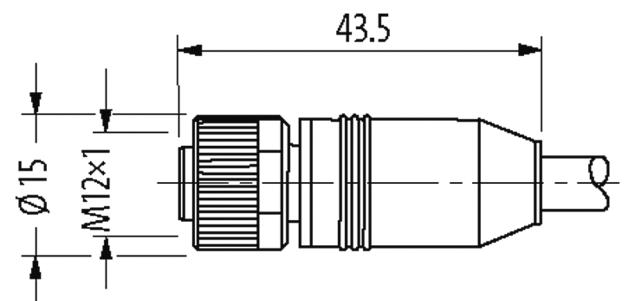
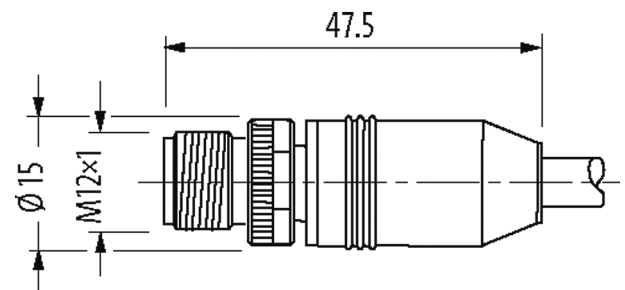
Male straight – female straight

M12 – M12, 8-pole

Further cable lengths on request.

Plastic housings with good resistance against chemicals and oils.

The resistance to aggressive media should be individually tested for your application. Further details on request.

[Link to Product](#)**Illustration**

Product may differ from Image

Form

Form SS081

General data

Temperature range -25...+85 °C, depending on cable quality

Cables

Cable number 881

No./diameter of wires 2x 2x AWG24 + 1x 2x AWG22

Wire isolation PE (gnye, pkbl, rdbk)

C-track properties 0.1 Mio.

Torsion stress ±30 °/m

Jacket Color green

Material (jacket) PVC (UL/CSA)

Specification 6FX5008-1DC00

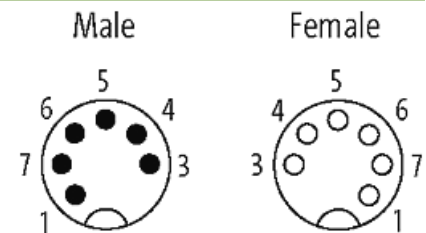
Outer Ø	6.9 mm ±5%
Bend radius (fixed)	5× outer Ø
Bend radius (moving)	20× outer Ø
Temperature range (fixed)	-20...+70 °C
Temperature range (mobile)	-5...+70 °C
Shield	yes

Technical Data

Operating voltage	max. 30 V AC/DC
Operating current per contact	max. 2 A
Coding	A-coded
Locking of ports	Screw thread (M12×1 mm) recommended torque 0.6 Nm, self-securing
Compression gland	torque calibrated 0.6 Nm
Protection	IP67
Material	Brass, nickel plated

Commercial data

country of origin	DE
customs tariff number	85444290
EAN	4048879579506
eClass	27061801
Packaging unit	1

Sketch

Product may differ from Image